

Water proof wall mount Bracket - BLACK

Material: Aluminum & SECC

Dimensions: 160mm x 122mm x 76mm

Color: Black

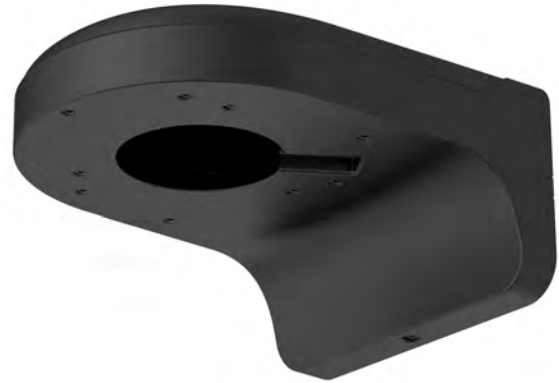
Type of Installation: Wall

Working Environment: -40°C~+60°C

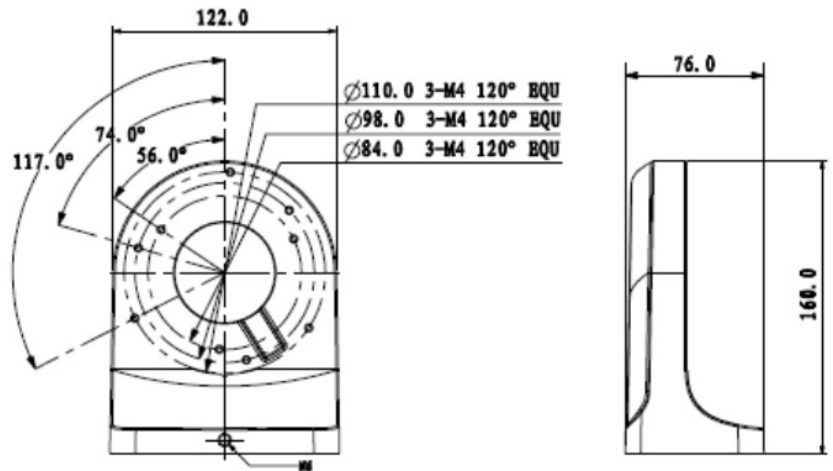
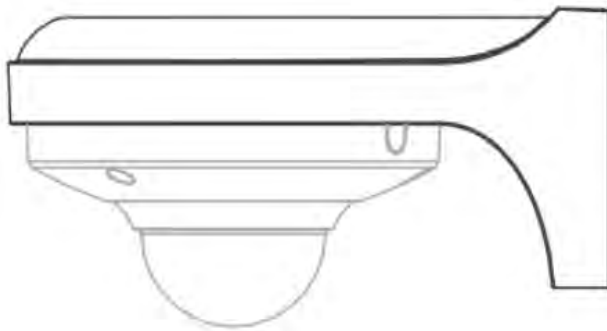
Net Weight: 0.5kg

Load Bearing Capacity: 1kg

Work with: INSX152 or INSX136B



Applications



Work with:



INSX152



INSX136B

